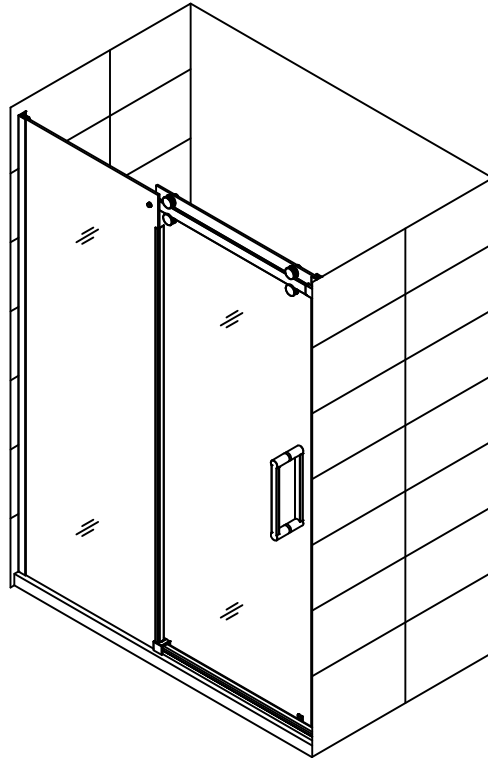
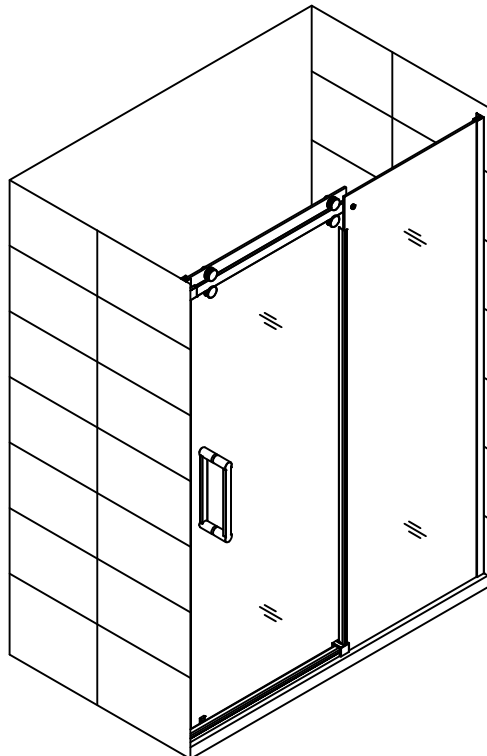


INSTALLATION GUIDE SHOWER DOOR

C0387-A00-01



Door opening
on right side

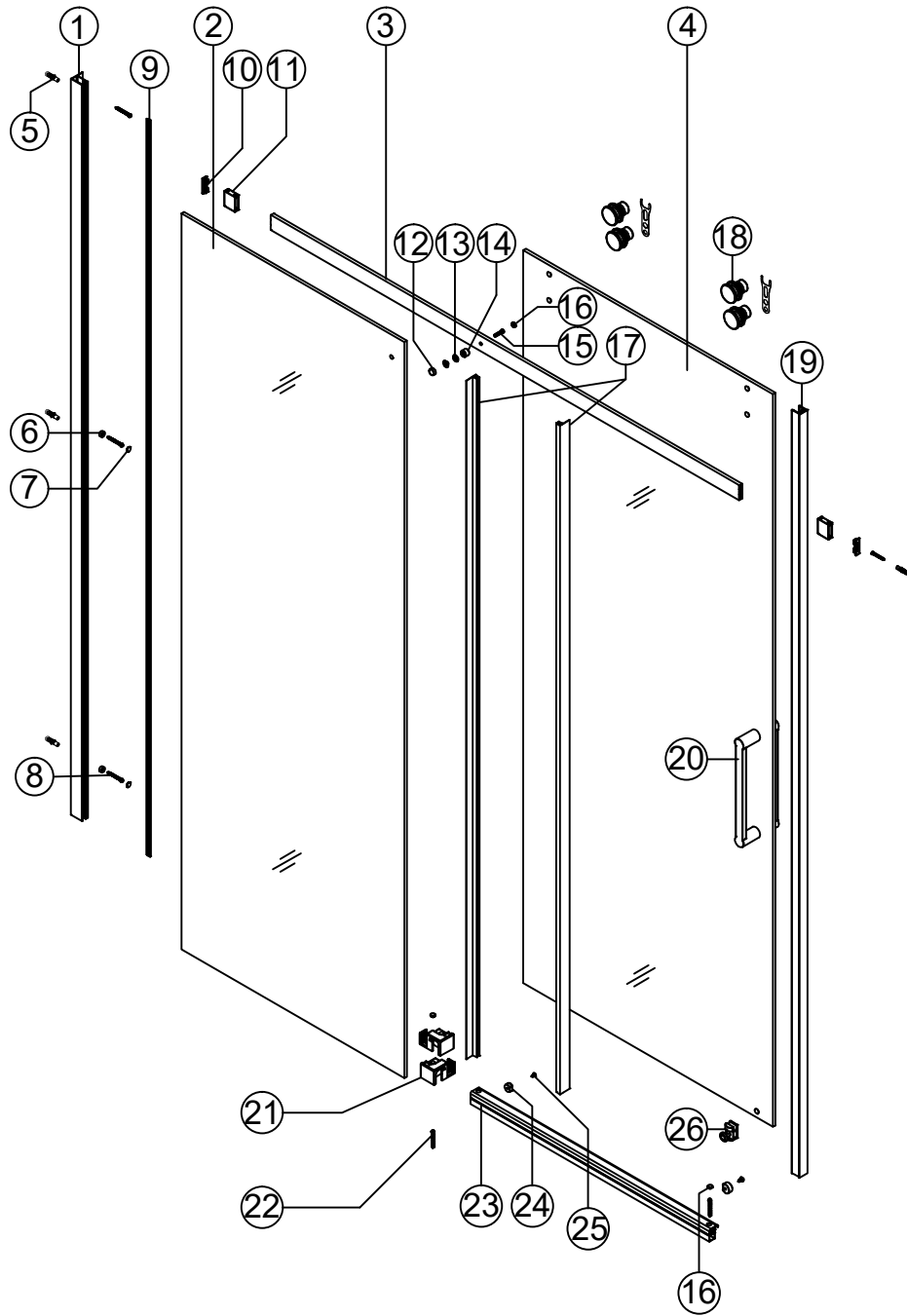


Door opening
on left side

TABLE OF CONTENT

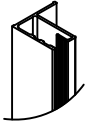
PACKAGE CONTENT	3-4
TOOLS REQUIRED	5
SAFETY INFORMATION	5
LEVEL & HANDLE & TOP ROLLER INSTALLATION	6
WALL JAMB & FIXED PANEL INSTALLATION	7
TOP RAIL INSTALLATION	8
BOTTOM RAIL INSTALLATION	9
DOOR GLASS INSTALLATION	10
ROLLERS & SEAL STRIP INSTALLATION	11
SEALING	12

PACKAGE CONTENT



PACKAGE CONTENT

1



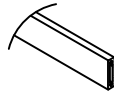
Wall Jamb
1pc

2



Fixed panel
1pc

3



Top Rail
1pc

4



Door glass
1pc

5



Wall Anchor
4+1pcs

6



Fitting
2pcs

7



Cap
2pcs

8



Screw
NO.8×2 1/2"
4+1pcs

9



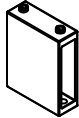
Gasket
1pc

10



Fitting
2pcs

11



Fitting
2pcs

12



Cap
1pc

13



Inner Cap
2pcs

14



Divider
1pc

15



Screw
M5×1"
1pc

16



Cap
3pcs

17



Vertical Gasket
2pcs

18



Top Rollers
4pcs

19



Door Panel
Seal Strip
1pc

20



Handle
1pc

21



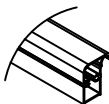
Guide
Left or Right
1pc

22



Screw
NO.8×1"
2pcs

23



Bottom Rail
1pc

24



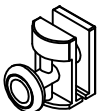
Roller Stopper
2pcs

25



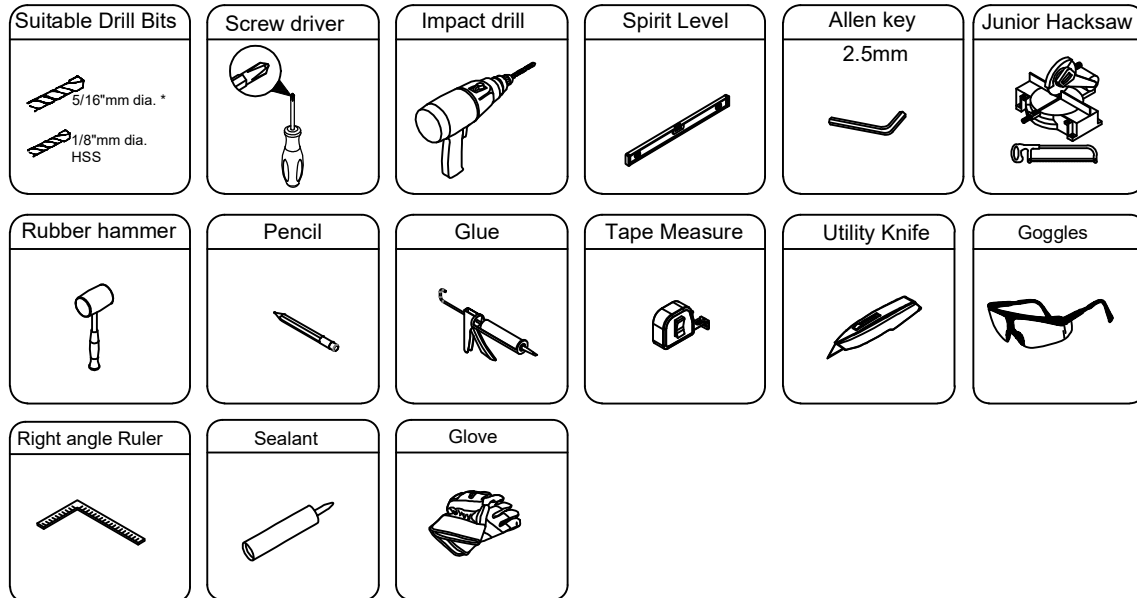
Screw
NO.8×3/8"
2pcs

26



Bottom Roller
1pc

TOOLS REQUIRED



SAFETY INFORMATION

*Please read and understand this entire manual before attempting to assemble, operate or install the product.

*Handle the tempered glass with caution! Improperly handling the glass can cause it to break suddenly in small pieces (never in pointed fragments).
Do NOT put glass panels on hard surfaces, always work on clean and soft surface (e.g. towel). Shattering may occur otherwise!

*HEAVY PRODUCT! You will need at least two people to install this unit properly.

WARNING

*Distributor is not responsible for any damage to the unit or personal property caused by improper installation. If you disregard instructional warnings, you will void your warranty and possibly deal with water damage.

CAUTION

- *Carefully remove product from packaging and keep packaging until installation is complete.
- *Inspect all parts for damage.
- *Install the shower on a floor that is level and able to accommodate the weight of the unit and an occupant.
- *Please, consult local building codes and compliance standards prior to installation and ensure conformity.

PREPARATION

- *Before beginning assembly of product, make sure all parts are present. Compare parts with package contents list .
- *If any parts missing / damaged or other problems, please contact your local distributor or our company directly and you will get a satisfied answer.

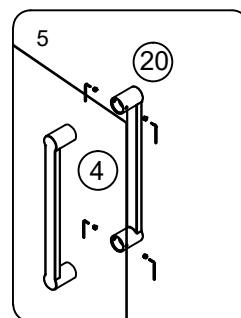
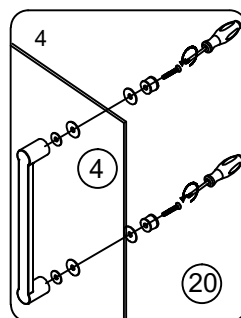
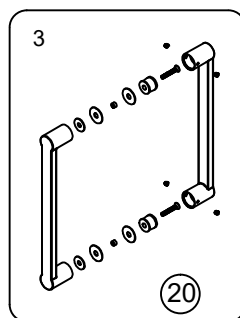
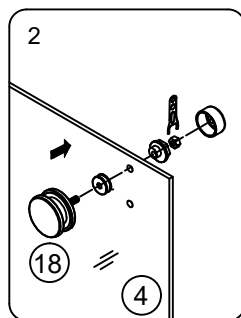
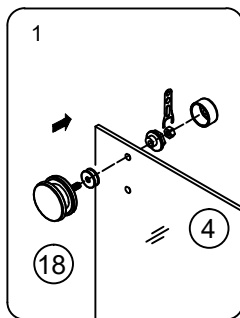
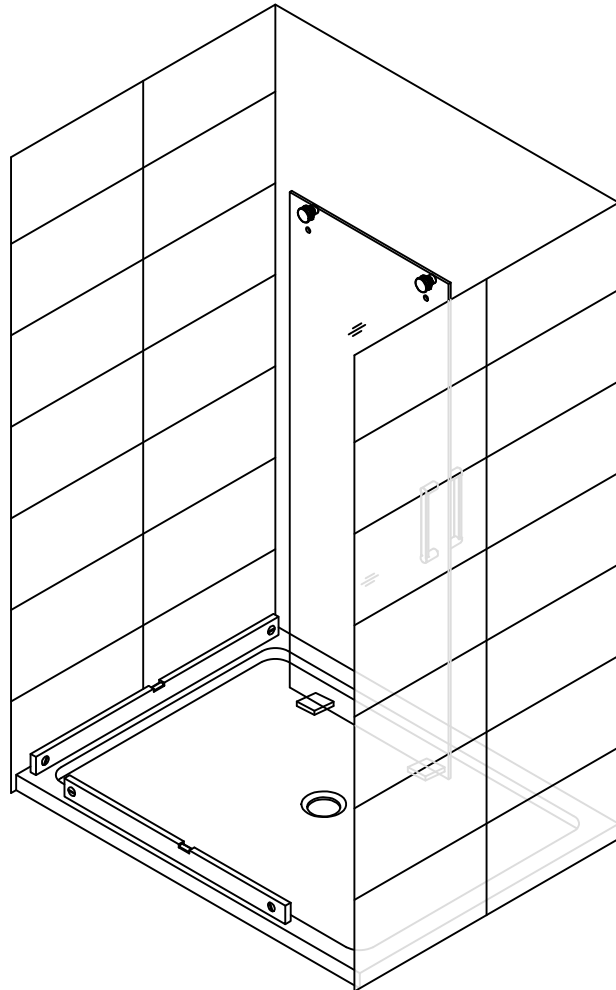
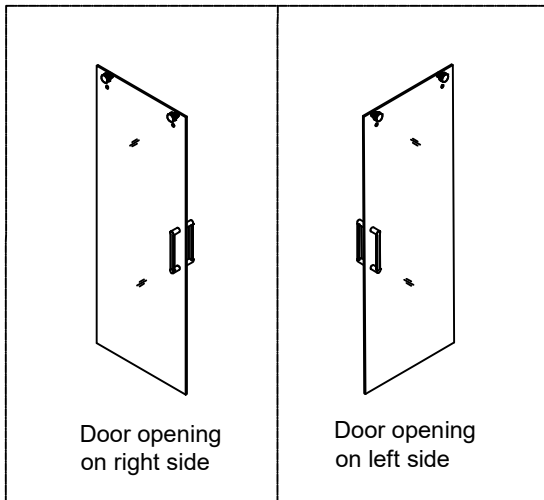
LEVEL & HANDLE & TOP ROLLER INSTALLATION

*** After install the shower base or stone matrix, keep it level.

1-2. Install the top rollers (18) to the door glass (4) with wrench.

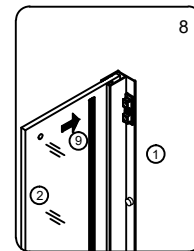
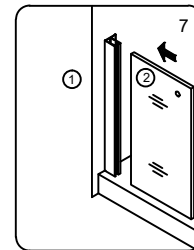
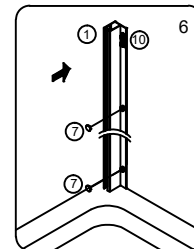
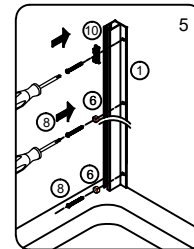
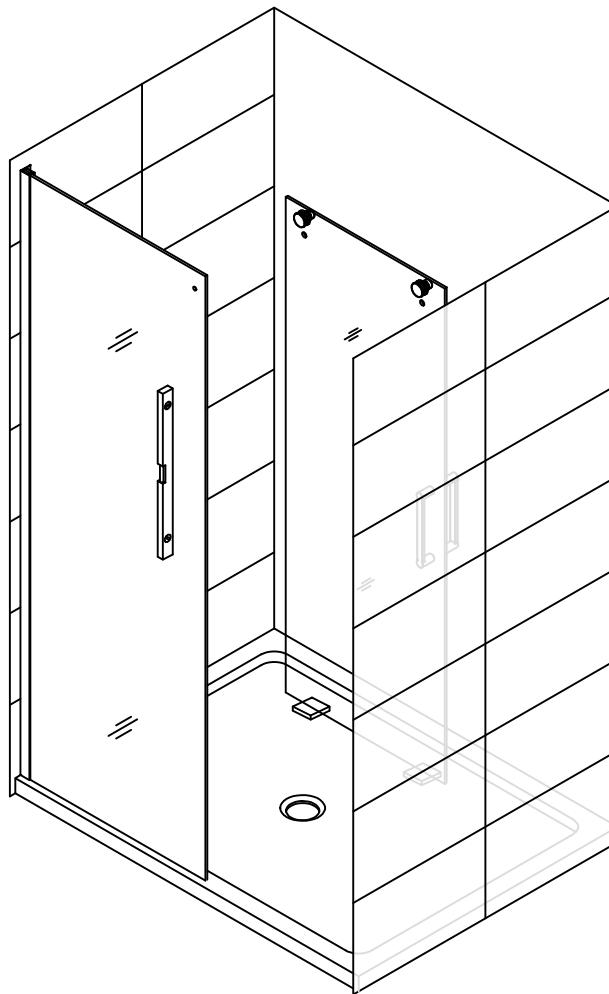
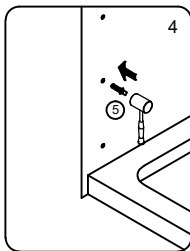
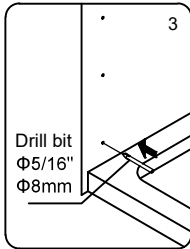
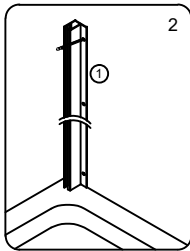
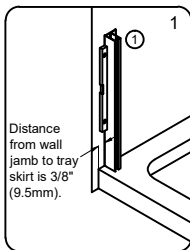
4-5. Loose the handle (20) by Screw driver, then install to the door glass and tighten it with Allen key.

Then put the door glass (4) on the wood board or box board or foam when put it on the tray for protecting the glass.



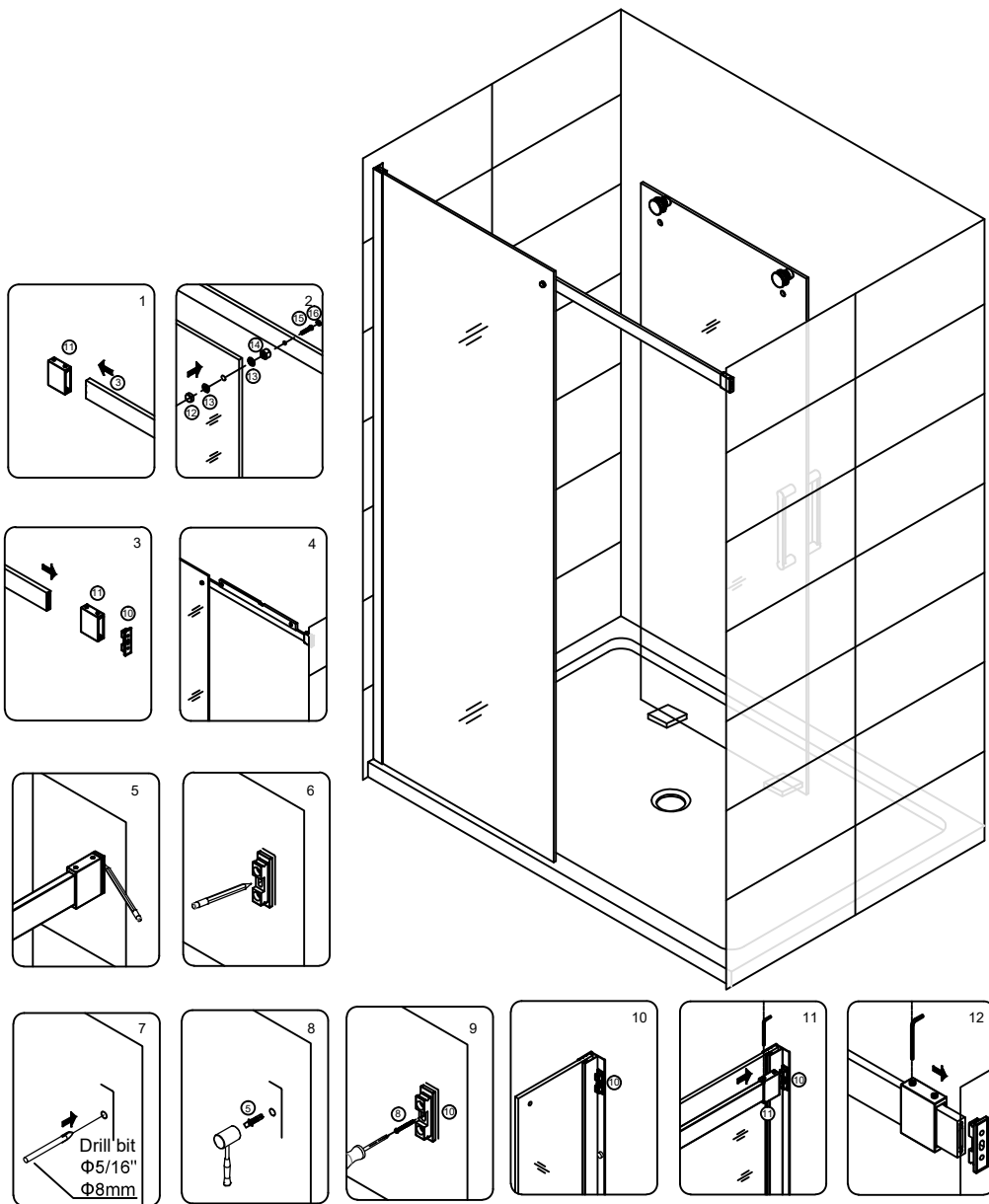
WALL JAMB & FIXED PANEL INSTALLATION

- 1-2. Install the wall jamb (1), make the distance from wall jamb (1) to tray skirt is 3/8" (9.5mm), keep it vertical level. Then mark the holes.
3. Use the drill bit $\Phi 5/16"$ ($\Phi 8\text{mm}$) to drill three holes.
4. Hammer blow wall anchors (5) by rubber hammer.
- 5-6. Secure the wall jamb (1) with fitting (10), fittings (6) and screws (8) by screw driver. Then press the caps (7) by hand.
7. Install the fixed panel (2) to the wall jamb (1).
8. Insert the gasket (9) into the gap of the fixed panel (2) and the wall jamb (1).



TOP RAIL INSTALLATION

1. Insert the top rail (3) into the fitting (11), then install into the fitting (10).
2. Install the cap (12), inner cap (13), divider (14), screw (15) and cap (16) follow the sequence.
- 3-4. Install the top rail (3) the other side with the fitting (11) and the fitting (10), then keep it level.
- 5-6. Mark the position of drill hole.
- 7-8. Drill hole with the drill bit $\Phi 5/16''$ ($\Phi 8\text{mm}$). Hammer blow wall anchors (5) by rubber hammer.
- 9-10. Secure the wall jamb with fittings and screws by screw driver.
- 11-12. Adjust and make the fittings (11) tighten with allen key.



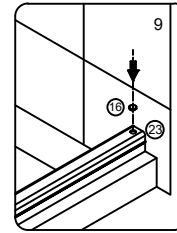
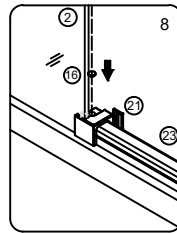
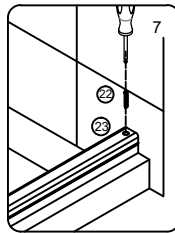
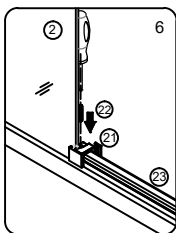
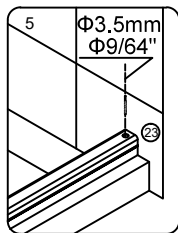
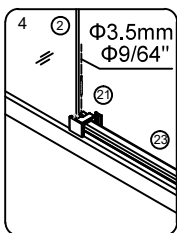
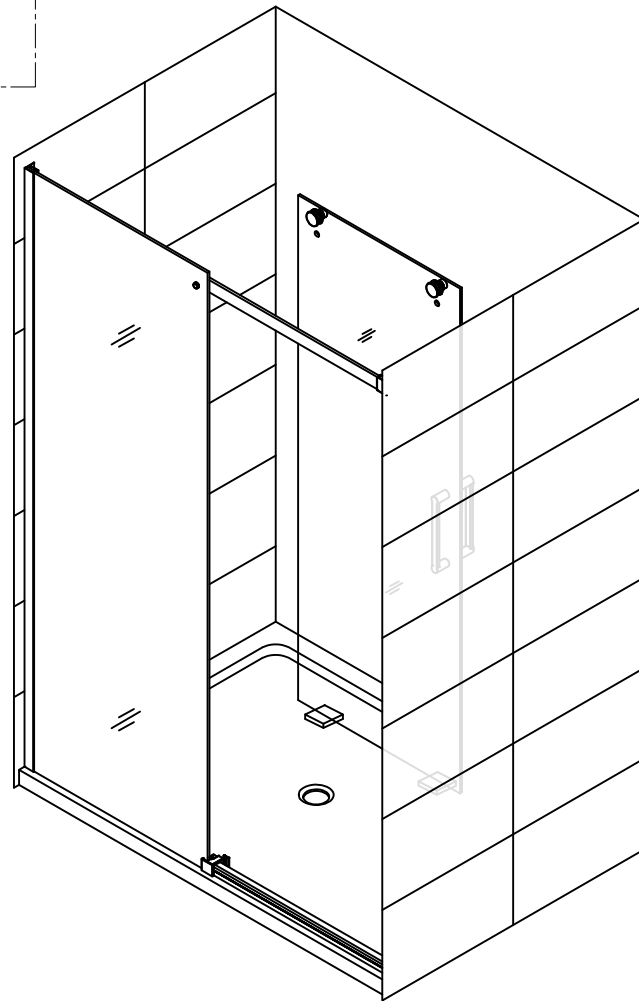
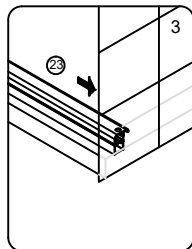
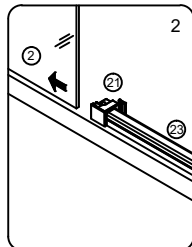
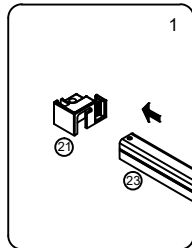
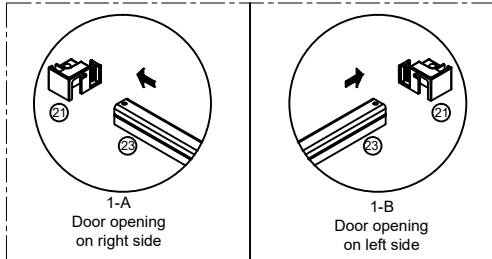
BOTTOM RAIL INSTALLATION

1-3. Install the bottom rail (23) to the guide (21), then insert into the fixed panel (2). The other side of bottom rail (23) put on the tray or stone matrix, keep it level in one line and adjust them.

4-5. Drill holes by drill bit $\Phi 9/64''$ ($\Phi 3.5\text{mm}$) on the guide (21) and the other side of bottom rail (23).

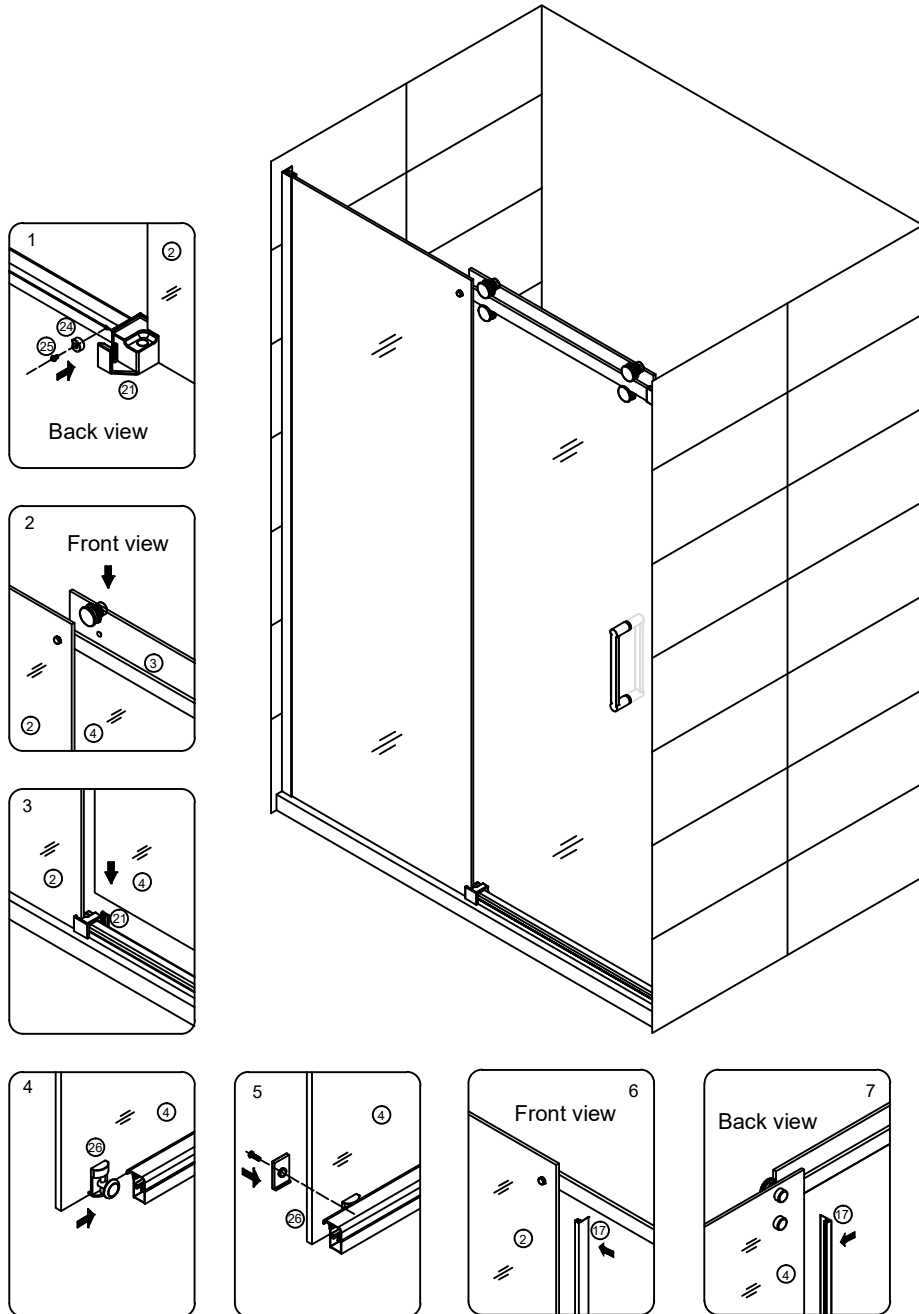
6-7. Secure the screws (22) by screw driver.

8-9. Press the caps (16) by hand.



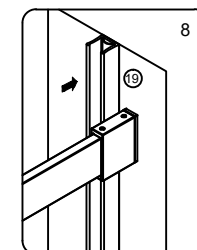
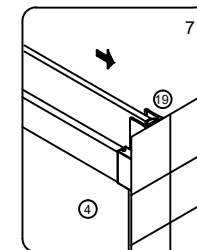
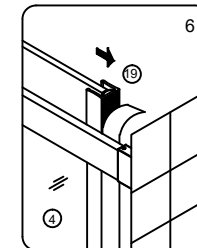
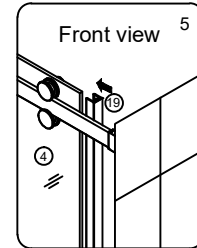
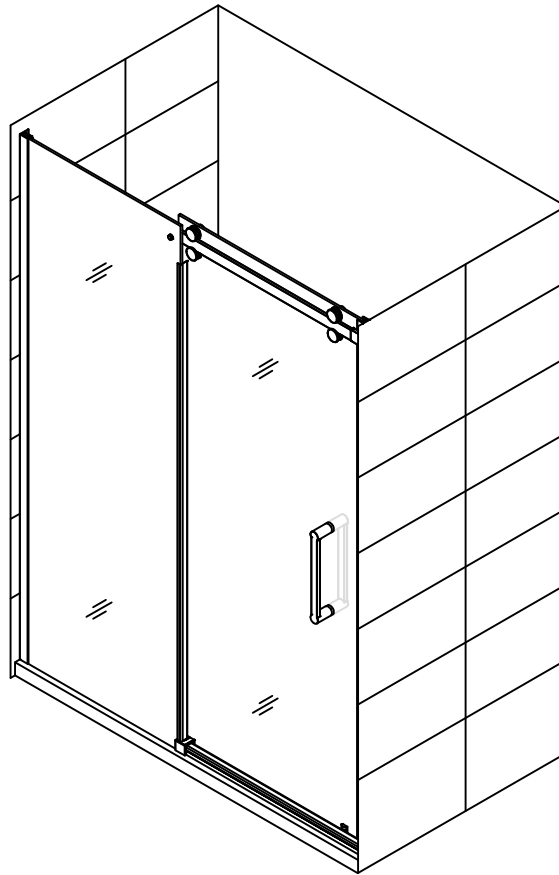
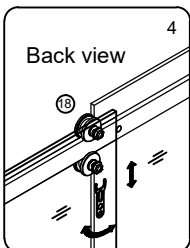
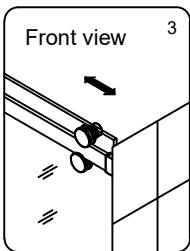
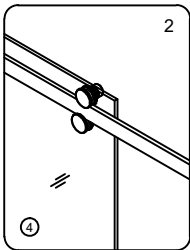
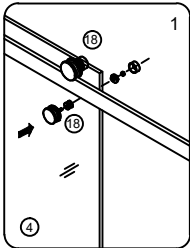
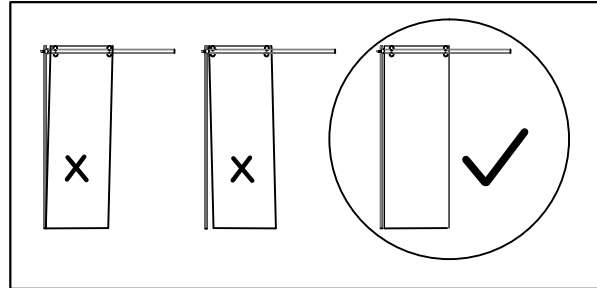
DOOR GLASS INSTALLATION

1. Install the roller stopper (24) with screw (25) by screw driver.
- 2-3. Hanging the door glass (4) on the top rail (3) and make it into the guide(21).
- 4-5. Loose the bottom roller (26) by Screw driver, then install to the door glass and tighten it.
- 6-7. Install the vertical gaskets (17) to the fixed panel (2) and door glass (4).

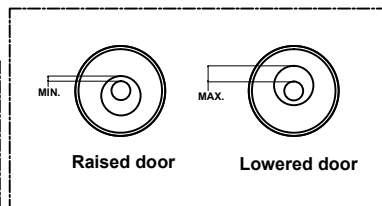


ROLLERS & SEAL STRIP INSTALLATION

- 1-2. Install the top rollers (18) to the door glass (4) with the Allen key.
- 3-4. Move the door glass (4). Adjust and tighten the top rollers (18).
- 5-8. Make the wall smoothly. Insert the seal strip (19) to the door glass (4), then remove the back of 3M type. Move the door quickly and make the seal strip (19) stick on the wall.



**** Rotate this accessory with wrench to adjust rollers up and down, let the door glass in a horizontal state.**



SEALING

Ensure that the Shower door closes tightly and opens smoothly.

Apply a silicone around the outside and inside of wall jambs, fixed panel and bottom rail to avoid the water leaks.

Allow **24 hours** for silicone to dry.

